

Installation Instructions

Step 1: Mount hose

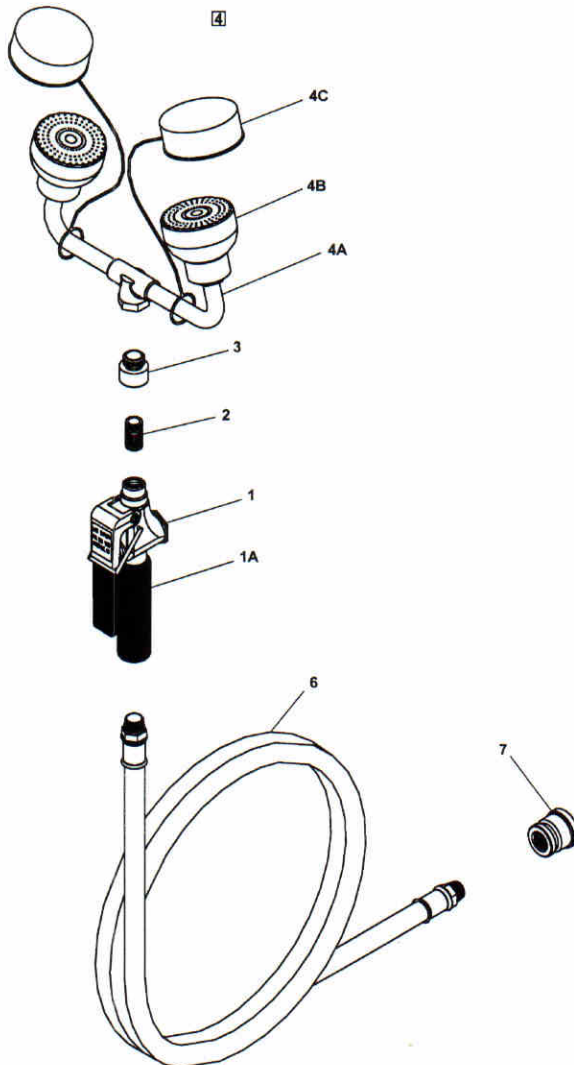
1. Rough-in 1/2" IPS supply piping from wall where hand-held drench hose is desired (piping supplied by installer).
2. Mount hose holder to wall with a #10 screw (supplied by installer). Install wall anchor if desired.

Note: The drench hose has been completely assembled and tested at the factory.

Step 2: Connect water supply

1. Connect the end of the drench hose to the 1/2" IPS water supply.
2. Open the water supply line. Test for leaks and adequate water flow.

Assembly of Components



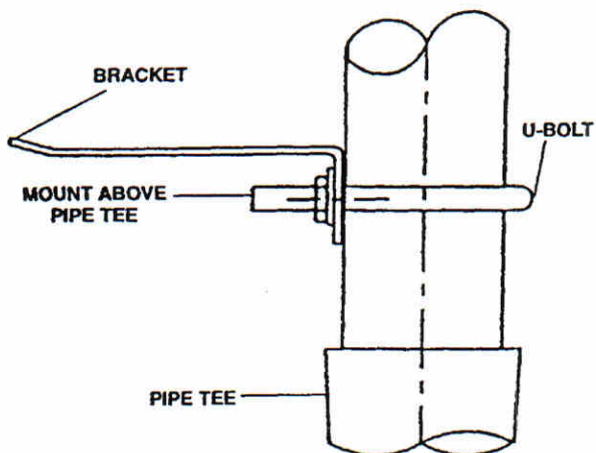
Parts List

Item	Part No.	Qty	Description
1	S27-265	1	VALVE ASSEMBLY
1A	269-661	1	HANDLE
2	113-544A	1	CLOSED NIPPLE
3	153-337	1	ADAPTER
4	S05-064F	1	EFW ASSEMBLY
4A	S05-091P	1	EFW YOKE ASSEMBLY
4B	S05-135N	1	EFW SPRAYHEAD
4C	S53-063	2	DUST COVER
6	S89-002	1	3/8" YELLOW HOSE x 8'
7	169-059	1	REDUCING COUPLING
8	S45-831	1	HOSE HOLDER PREPACK
9*	204-421	1	INSPECTION TAG
10*	114-051	1	SAFETY SIGN

* Not shown

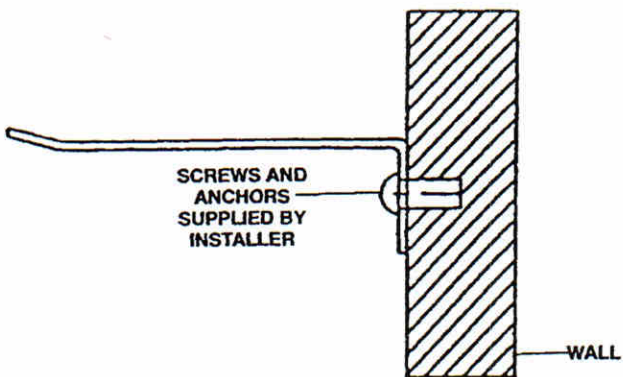
Installation Instructions for Hose Holder

PIPE MOUNTING



8

WALL MOUNTED



Parts List

	1-1/4" Pipe
Bracket	140-601
U-Bolt	269-681