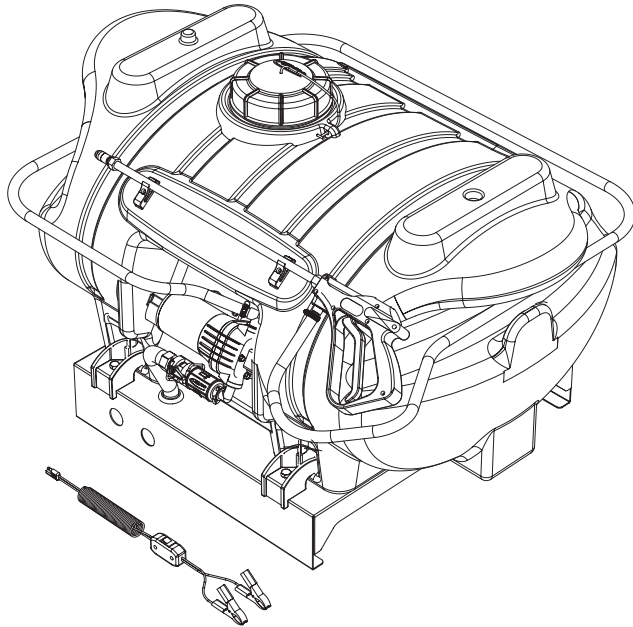


5301335
MODEL: LG-40-SS
40 Gallon, Skid-Mounted Sprayer
ASSEMBLY / OPERATION INSTRUCTIONS / PARTS

ASSEMBLY



The sprayer is fully assembled at the factory. Hook up the wiring to an existing 12 volt power source. The red wire of the two wire set must be connected to the positive post on the battery or the "Hot" connection on a switch or to the ammeter. The brown wire may be grounded or connected to the negative battery post.

OPERATION

The pump on the sprayer is factory set to shut off automatically at a maximum of 45 PSI. The handgun may be shut off at any time when the pump is running. The pump will shut off when there is no discharge from the handgun.

The pumping system draws solution from the tank and to the pump. The pump forces the solution under pressure to the handgun.

It is important to test the sprayer with plain water before attempting actual spraying. This will enable you to check the sprayer for leaks in the plumbing system.

1. Open tank lid and be sure the tank is clean and free of foreign material. Fill the tank about half full with plain water.

WARNING: Some chemicals will damage the pump valves if allowed to soak untreated for a length of time. Always flush the pump after use. Do not allow chemicals to sit in pump for extended times of idleness. Follow chemical manufacturers instructions on disposal of all waste water from the sprayer.

AFTER SPRAYING

After use, fill the sprayer part way with water, start the sprayer and allow clear water to be pumped through the plumbing system and out through the handgun. Use the handgun to thoroughly wash all internal parts of tank and tank cover.

GENERAL INFORMATION

The purpose of this manual is to assist you in operating your sprayer. Please read it carefully as it furnishes information which will help you operate and maintain your sprayer.

WARRANTY / PARTS / SERVICE

Products are warranted for one year from date of purchase against manufacturer or workmanship defects.

Your authorized dealer is the best source of replacement parts and service. To obtain prompt, efficient service, always remember to give the following information.

1. Correct part description and part number.
2. Model number of your sprayer.
3. Serial number of your sprayer.

Part number and descriptions can be obtained from the illustrated parts list section of this manual. Whenever you need parts or repair service, contact your distributor / dealer first. For warranty work always take your original sales slip, or other evidence of purchase date, to your distributor / dealer.

TECHNICAL SPECIFICATIONS

- 40 Gallon Polyethylene Tank
- 12 Volt Diaphragm Pump - 3.8 G.P.M.
- Adjustable Pressure Range 0 - 45 P.S.I.
- 25 Foot Handgun Hose
- Pistol Grip Handgun
- Suction Line Filter



WWW.FIMCOINDUSTRIES.COM

1000 FIMCO LANE • P.O. BOX 1700 • NO. SIOUX CITY, SD 57049
TOLL FREE: 800-831-0027 • TOLL FREE FAX: 800-494-0440
Form No. 850 (5004623 5/06) Printed In U.S.A.

Refill the tank about half full with plain water and use a chemical neutralizer such as NUTRA-SOL or equivalent and repeat cleaning instructions above. Flush the entire sprayer with the neutralizing agent. Follow the chemical manufacturer's disposal instructions of all wash and rinsing water.

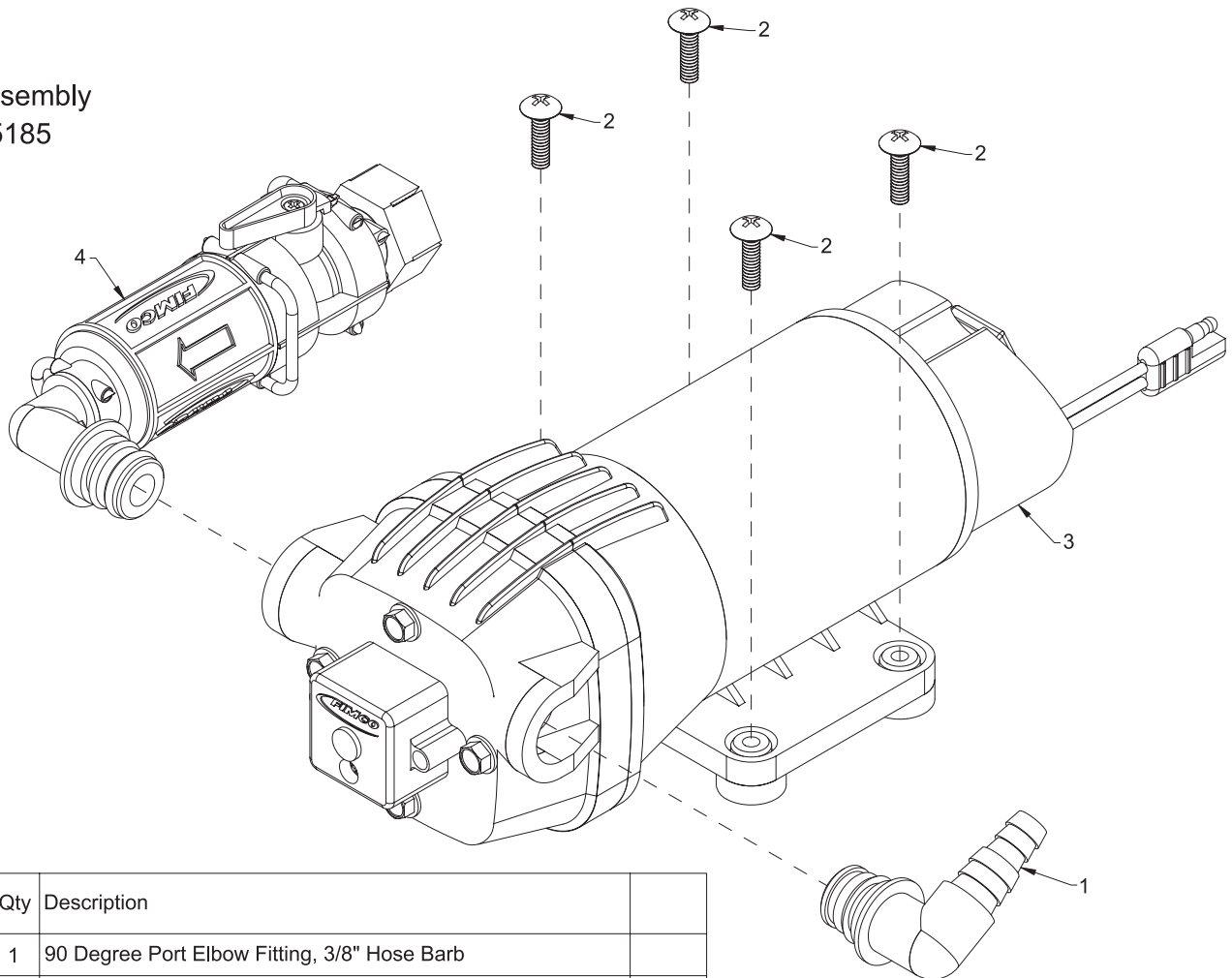
WINTER STORAGE

Drain all water out of the sprayer paying special attention to

pump, valves, and spray gun. These items are especially prone to damage from chemicals and freezing weather.

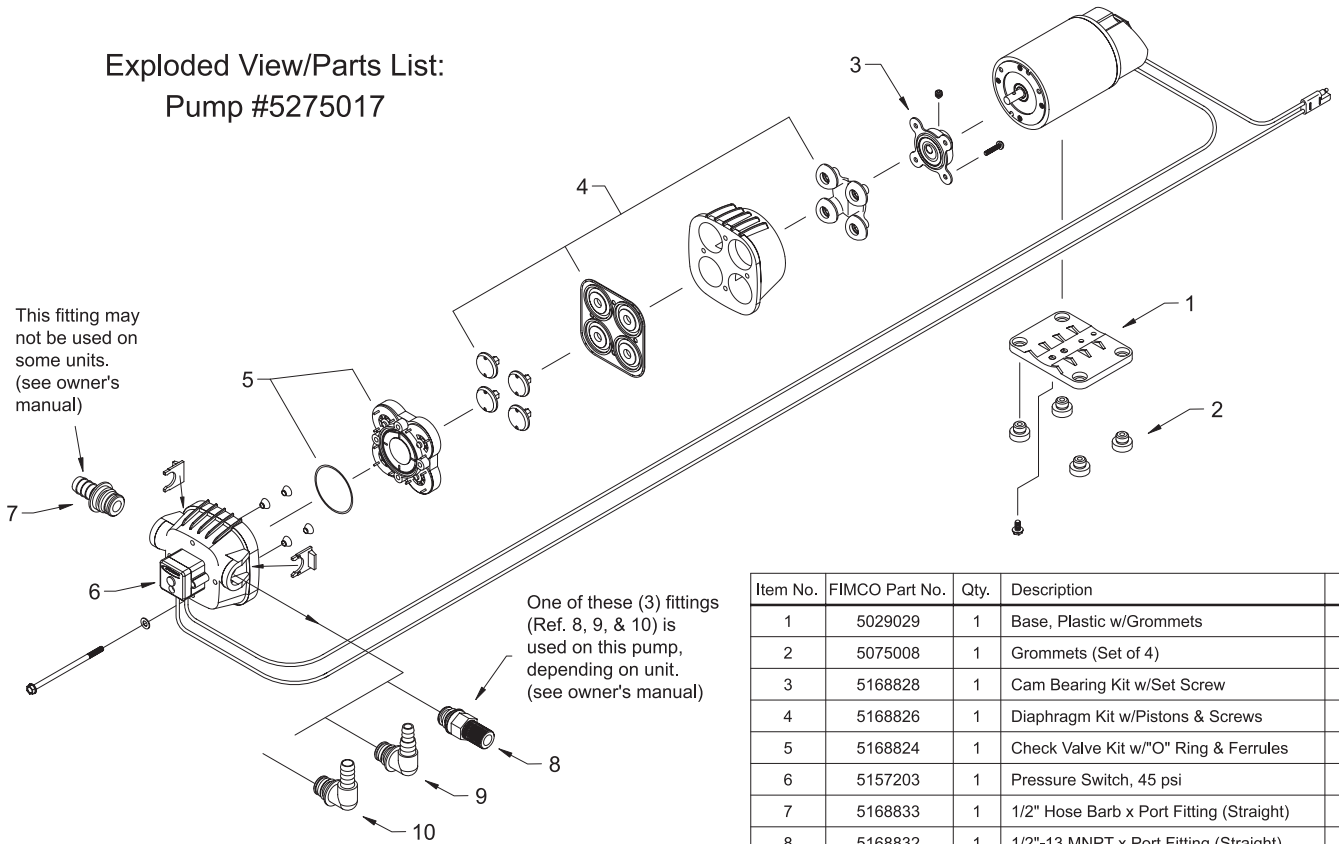
The sprayer should be winterized before storage by pumping a solution of RV anti-freeze through the entire plumbing. Proper care and maintenance will prolong the life of the sprayer.

Pump Assembly
#5275185



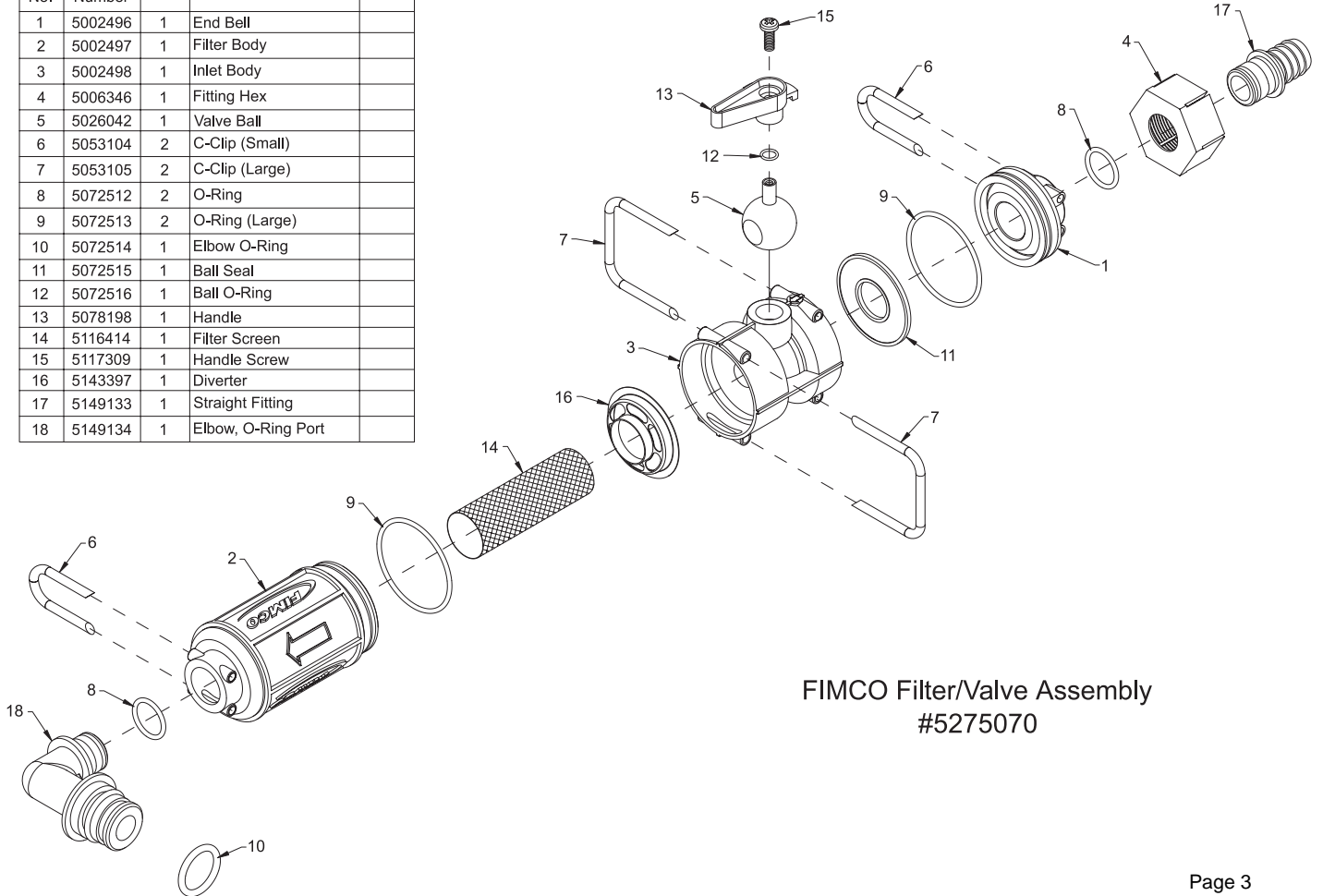
Item No.	Part Number	Qty	Description
1	5010424	1	90 Degree Port Elbow Fitting, 3/8" Hose Barb
2	5117176	4	#10-24 x 3/4" Phillips Truss Head Machine Screw
3	5275017	1	"Quad" Pump - 12V, 4-Piston, 3.8 G.P.M.
4	5275070	1	FIMCO Filter/Valve Assembly with 1/2" HB x 1/2" Port Fitting

Exploded View/Parts List:
Pump #5275017

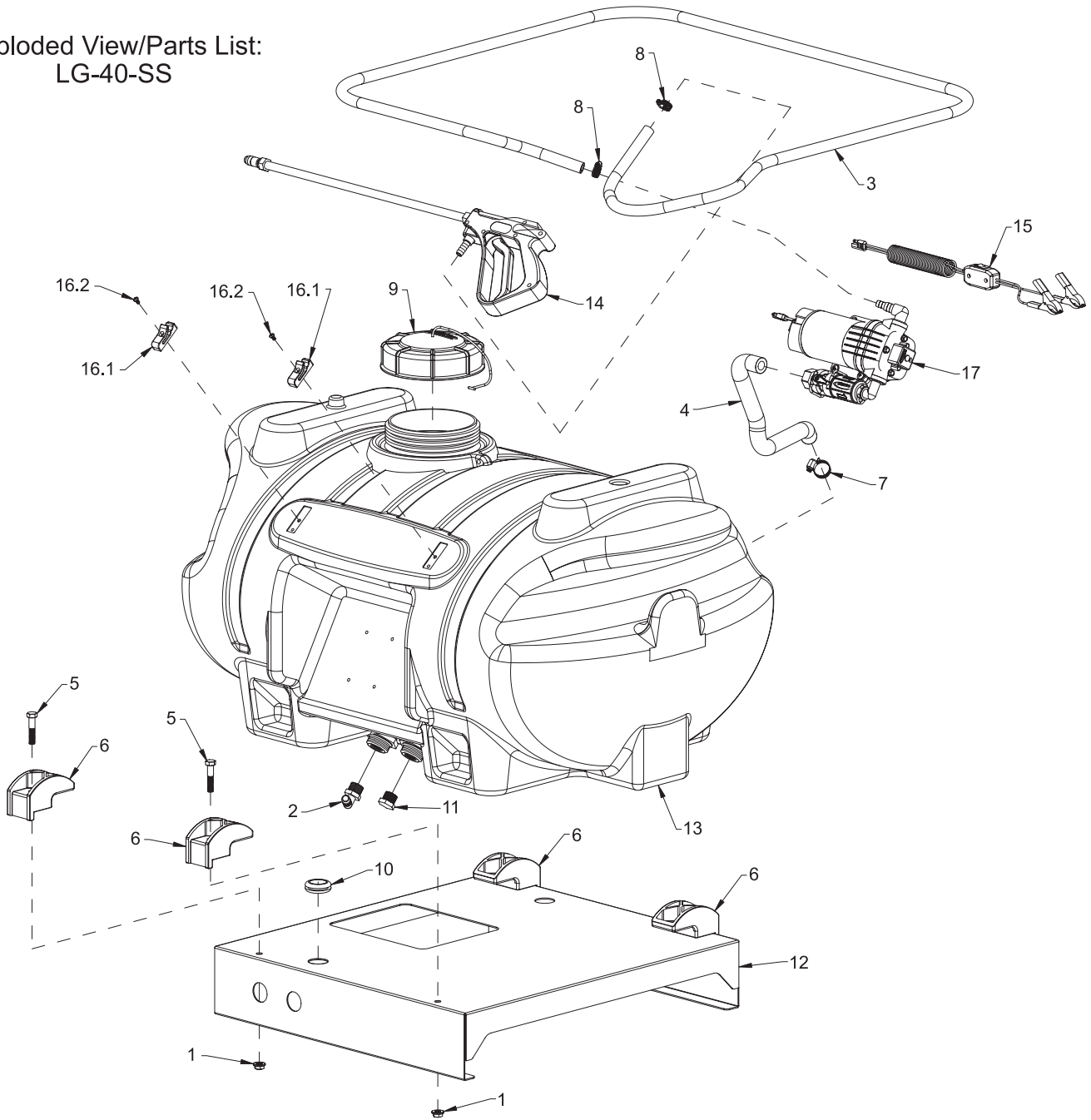


Item No.	FIMCO Part No.	Qty.	Description
1	5029029	1	Base, Plastic w/Grommets
2	5075008	1	Grommets (Set of 4)
3	5168828	1	Cam Bearing Kit w/Set Screw
4	5168826	1	Diaphragm Kit w/Pistons & Screws
5	5168824	1	Check Valve Kit w/"O" Ring & Ferrules
6	5157203	1	Pressure Switch, 45 psi
7	5168833	1	1/2" Hose Barb x Port Fitting (Straight)
8	5168832	1	1/2"-13 MNPT x Port Fitting (Straight)
9	5010424	1	3/8" Hose Barb Elbow x Port Fitting
10	5010426	1	1/2" Hose Barb Elbow x Port Fitting

Item No.	Part Number	Qty	Description
1	5002496	1	End Bell
2	5002497	1	Filter Body
3	5002498	1	Inlet Body
4	5006346	1	Fitting Hex
5	5026042	1	Valve Ball
6	5053104	2	C-Clip (Small)
7	5053105	2	C-Clip (Large)
8	5072512	2	O-Ring
9	5072513	2	O-Ring (Large)
10	5072514	1	Elbow O-Ring
11	5072515	1	Ball Seal
12	5072516	1	Ball O-Ring
13	5078198	1	Handle
14	5116414	1	Filter Screen
15	5117309	1	Handle Screw
16	5143397	1	Diverter
17	5149133	1	Straight Fitting
18	5149134	1	Elbow, O-Ring Port



Exploded View/Parts List:
LG-40-SS



Item No.	Part Number	Qty	Description
1	5006259	4	3/8"-16 Hex Whiz (Flange) Locknut
2	5010039	1	Nylon Elbow, 1/2" MNPT x 1/2" HB
3	5020135	1	Hose, 3/8"-1 Brd. x 25 Ft.
4	5020324	1	Hose, 1/2"-1 Brd. x 18"
5	5034101	4	H.H.C.S., 3/8"-16 x 1 3/4"
6	5038698	4	Plastic Tank Hold-Down Leg Clip
7	5051022	1	Hose Clamp, 1/2"
8	5051114	2	Hose Clamp, 3/8"
9	5058183	1	FIMCO 5" Threaded Tank Lid w/Lanyard
10	5075015	1	Rubber Grommet
11	5102024	1	Nylon Pipe Plug, 1/2" MNPT
12	5156025	1	40 Gallon Spot Sprayer Skid
13	5169226	1	40 Gallon Elliptical Tank (White)
14	5273959	1	Handgun w/X-26 Tip
15	5274443	1	Lead Wire Assembly (w/Switch), 96"
16	5274880	1	Pkg. (2) Handgun Clips & (2) Screws
16.1	5053096	2	Handgun Clip, for Blow-Molded Tanks
16.2	5117293	2	#10-24 x 3/8" Phillips Round Head Machine Screw
17	5275185	1	Pump Assembly