

Please read and save these instructions. Read carefully before attempting to assemble, install, operate or maintain the product described. Protect yourself and others by observing all safety information. Failure to comply with instructions could result in personal injury and/or property damage! Retain instructions for future reference.

Westward® Air/Manual Hydraulic Bottle Jacks

Description

Westward air/manual hydraulic bottle jacks, Models 1ZKX7 and 1ZKX8 are ideal for use in the shop, home, or in an industrial setting. The manual function allows for normal operation any where, even without an air supply. RECOMMENDED AIR SUPPLY: 110-175 PSI at 7.8 CFM. A minimum of 150 PSI is required to lift rated capacity load. Jacks can be manually operated vertically or in the horizontal position with pump positioned directly below the reservoir (see Figure 2). However, air operation jacks need to be in vertical position. These jacks are designed to meet or exceed ANSI / PALD Standards.

Specifications

Model	Capacity	Base Size	Min. Height	Max. Height
1ZKX7	12 Ton	8" x 6 1/2"	9 1/2"	18 1/2"
1ZKX8	20 Ton	8 1/2" x 7 1/4"	9 3/4"	18 3/4"

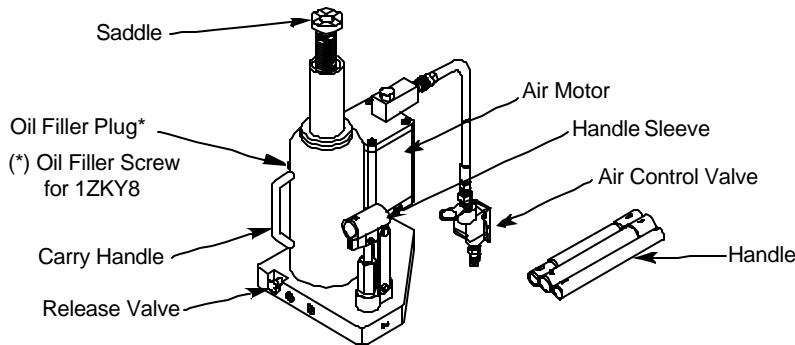


Figure 1- Air/Manual Hydraulic Bottle Jack Components

General Safety Information

▲ WARNING Study, understand, and follow all instructions before operating this device. Lifting device only. Intended use is for lifting part of a total vehicle, only one wheel or axle at a time. Immediately after lifting, support vehicle with appropriate means. Do not exceed rated capacity. Use only on a hard level surface capable of sustaining rated capacity loads. Lift only on those areas of the vehicle as specified by the vehicle manufacturer. Ensure that the lift point is properly centered on the jack saddle. Always wear safety glasses when using this equipment. Inspect jack before each use. Do not use if bent, broken, leaking, or damaged components are noted. No alteration of this product is allowed. Do not use this device for any purpose other than that for which it was intended. Failure to heed any one or

combination of these warnings may result in severe personal injury and/or property damage.

Before Use

- Occasionally hydraulic jacks become air bound and will not function properly. To correct this condition, remove oil filler plug. This will allow any pressurized air to escape.
 - Ensure the oil level is even with or just below the oil filler plug hole.
 - Reinstall the oil filler plug.
- Thoroughly lubricate all moving parts of the jack.
 - Raise the saddle to full height by closing release valve and pumping handle.

- Oil surface of ram as well as all moving parts in the handle and lifting mechanism.

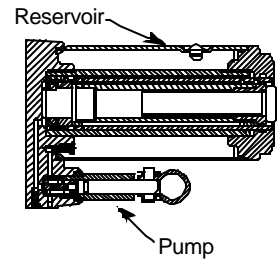


Figure 2 - Jack in Horizontal Position

Operation

LIFTING

- Prevent inadvertent vehicle movement by fully engaging emergency brake, putting transmission in park. Use wheel chocks in pairs on the wheel diagonally opposed to the wheel or axle being lifted.
- Assemble 3 piece handle by lining up spring pins with corresponding slots.
- Close release valve by turning handle clockwise until it is firmly closed.
- Position jack under load (refer to vehicle owners manual for proper lift point location), close release valve by turning clockwise firmly. Operate manually by pumping with handle or by connecting to air supply and squeezing air control valve until saddle contacts load. To end air lift simply release grip on air control valve.
- Raise load to desired height and immediately transfer load to jack stands.

▲ WARNING Off center loads and loads lifted while jack is not level may damage the jack or cause personal injury.

Westward® Air/Manual Hydraulic Bottle Jacks

Operation (Continued)

LOWERING

1. Insert handle onto release valve and slowly turn handle counterclockwise no more than one full turn.

IMPORTANT: Avoid “shock loads” created by quickly opening and closing the release valve as load is being lowered. This may result in an overloading of the hydraulic circuit and possible damage to the jack.

2. Push handle sleeve down manually if still extended to reduce piston exposure to rusting.

Maintenance

IMPORTANT: Use only a good grade hydraulic jack oil such as Mobil DTE 13M or equivalent. Avoid mixing types of oil. Do not use brake fluid, alcohol, glycerin, detergent motor oil, or dirty oil. Improper fluid can cause serious internal damage to the jack rendering it inoperative.

ADDING OIL

1. With saddle fully lowered and piston depressed, set jack in its upright level position and remove oil filler plug.
2. Fill until oil is level with or just below filler plug hole.

CHANGING OIL

1. For best performance and longest life, replace the complete oil supply at least once a year.

2. To drain oil completely, remove the filler plug.
3. Lay the jack on its side and allow the oil to run out into suitable drain pan. Dispose of hydraulic oil in accordance with local regulations.
4. Replace with proper oil as described above.

LUBRICATION

Add lubricating oil to all pivoting sections every 3 months.

RUST PREVENTION

Check ram and piston for signs of rust on a regular basis. Clean as needed with a lint free, oil saturated cloth.

NOTE: When not in use, always leave the saddle and ram all the way down.

Troubleshooting Chart

Symptom	Possible Cause(s)	Corrective Action
Jack will not lift load	<ol style="list-style-type: none"> 1. Release valve not tightly closed 2. Overload condition 3. Pressure of air pressure too low 	<ol style="list-style-type: none"> 1. Ensure release valve tightly closed 2. Remedy overload condition 3. Change to adequate air pressure.
Jack lift but not maintaining pressure	<ol style="list-style-type: none"> 1. Same as above 2. Hydraulic unit malfunctioning 	<ol style="list-style-type: none"> 1. Same as above 2. Replace hydraulic unit
Jack will not lower after unloading	<ol style="list-style-type: none"> 1. Reservoir overfilled 2. Linkages binding 	<ol style="list-style-type: none"> 1. Drain fluid to proper level 2. Clean and lubricate moving parts
Poor lift performance	<ol style="list-style-type: none"> 1. Fluid level low 2. Air trapped in system 	<ol style="list-style-type: none"> 1. Ensure proper fluid level 2. With ram fully retracted, remove oil filler plug to let pressurized air escape, reinstall oil filler plug
Will not lift to full height	Fluid level low	Ensure proper fluid level

For Repair Parts, call 1-800-323-0620

24 hours a day - 365 days a year

Please provide following information:

- Model number
- Serial number (if any)
- Part description and number as shown in parts list

Address parts correspondence to:

Grainger Parts
 P.O. Box 3074
 1657 Shermer Road
 Northbrook, IL 60065-3074 U.S.A.

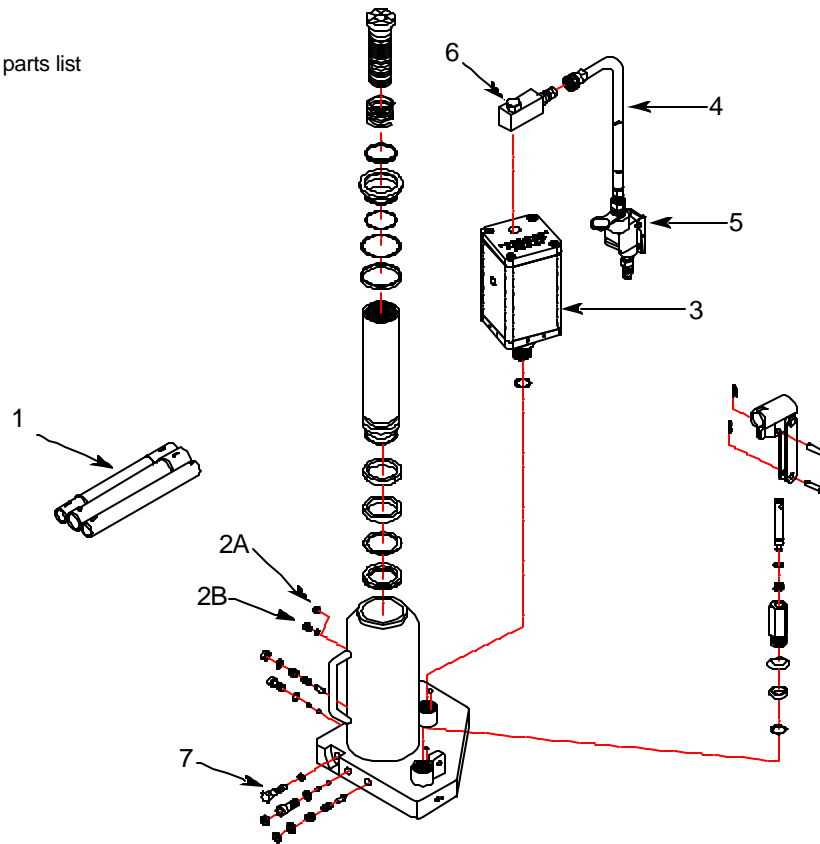


Figure 3 -Repair Parts Illustration

Repair Parts List

Reference Number	Description	Part Number	Quantity
1	Handle	A1206S-01	1
2A	Oil Filler Plug (for model 1ZKX7)	A1206S-02	1
2B	Oil Filler Screw (for model 1ZKX8)	A1906S-02	1
3	*Air Motor	A1206S-03	1
4	Air Hose	A1206S-04	1
5	Air Control Valve	A1206S-05	1
6	Swivel Manifold	A1206S-06	1
7	Release Valve	A1206S-07	1

(*) No repair parts available for air motor.

Westward Air/Manual Hydraulic Bottle Jacks

LIMITED WARRANTY

WESTWARD ONE-YEAR LIMITED WARRANTY. *Air/Manual Hydraulic Bottle Jacks*, Models covered in this manual, are warranted by Westward to the original user against defects in workmanship or materials under normal use for one year after date of purchase. For limited warranty claim procedures, see PROMPT DISPOSITION below. This limited warranty gives purchasers specific legal rights which vary from jurisdiction to jurisdiction.

LIMITATION OF LIABILITY. To the extent allowable under applicable law, Westward's liability for consequential and incidental damages is expressly disclaimed. Westward's liability in all events is limited to and shall not exceed the purchase price paid.

WARRANTY DISCLAIMER. Westward has made a diligent effort to provide product information and illustrate the products in this literature accurately; however, such information and illustrations are for the sole purpose of identification, and do not express or imply a warranty that the products are MERCHANTABLE, or FIT FOR A PARTICULAR PURPOSE, or that the products will necessarily conform to the illustrations or descriptions.

Except as provided below, no warranty or affirmation of fact, expressed or implied, other than as stated in the "LIMITED WARRANTY" above is made or authorized by Westward.

PRODUCT SUITABILITY. Many jurisdictions have codes and regulations governing sales, construction, installation, and/or use of products for certain purposes, which may vary from those in neighboring areas. While Westward attempts to assure that its products comply with such codes, it cannot guarantee compliance, and cannot be responsible for how the product is installed or used. Before purchase and use of a product, review the product applications, and all applicable national and local codes and regulations, and be sure that the product, installation, and use will comply with them.

Certain aspects of disclaimers are not applicable to consumer products; e.g., (a) some jurisdictions do not allow the exclusion or limitation of incidental or consequential damages, so the above limitation or exclusion may not apply to you; (b) also, some jurisdictions do not allow a limitation on how long an implied warranty lasts, consequentially the above limitation may not apply to you; and (c) by law, during the period of this Limited Warranty, any implied warranties of implied merchantability or fitness for a particular purpose applicable to consumer products purchased by consumers, may not be excluded or otherwise disclaimed.

PROMPT DISPOSITION. Westward will make a good faith effort for prompt correction or other adjustment with respect to any product which proves to be defective within limited warranty. For any product believed to be defective within limited warranty, first write or call dealer from whom the product was purchased. Dealer will give additional directions. If unable to resolve satisfactorily, write to Westward at address below, giving dealer's name, address, date, and number of dealer's invoice, and describing the nature of the defect. Title and risk of loss pass to buyer on delivery to common carrier. If product was damaged in transit to you, file claim with carrier.

Manufactured for Grainger International, 100 Grainger Pkwy., Lake Forest, Illinois 60045 U.S.A.