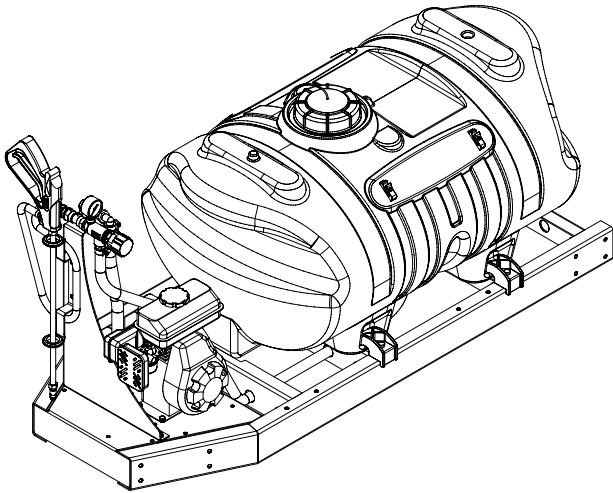


**5301336**

**Model: SK-61-4R**

**60 Gallon Skid Mounted Sprayer**

## ASSEMBLY / OPERATION INSTRUCTIONS / PARTS



**BEFORE RETURNING THIS PRODUCT  
FOR ANY REASON, PLEASE CALL  
1-800-831-0027**

**IF YOU SHOULD HAVE A QUESTION OR  
EXPERIENCE A PROBLEM WITH YOUR  
FIMCO INDUSTRIES PRODUCT:  
1-800-831-0027**

**BEFORE YOU CALL, PLEASE HAVE THE  
FOLLOWING INFORMATION AVAILABLE:  
SALES RECEIPT & MODEL NUMBER. IN MOST  
CASES, A FIMCO INDUSTRIES EMPLOYEE CAN  
RESOLVE THE PROBLEM OVER THE PHONE.**

### GENERAL INFORMATION

The purpose of this manual is to assist you in operating your sprayer. Please read it carefully as it furnishes information which will help you operate and maintain your sprayer.

**STOP WARNING STOP**

**DO NOT USE PUMP IN AN EXPLOSIVE  
ENVIRONMENT. DO NOT USE TO PUMP  
FLAMMABLE FLUIDS, GASOLINE,  
KEROSENE, FUEL, OIL, ETC.**

### WARRANTY / PARTS / SERVICE

Products are warranted for one year from date of purchase against manufacturer or workmanship defects.

Your authorized dealer is the best source of replacement

parts and service. To obtain prompt, efficient service, always remember to give the following information.

1. Correct part description and part number.
2. Model number of your sprayer.
3. Serial number of your sprayer.

Part number and descriptions can be obtained from the illustrated parts list section of this manual. Whenever you need parts or repair service, contact your distributor / dealer first. For warranty work, always take your original sales slip, or other evidence of purchase date, to your distributor / dealer.

### TECHNICAL SPECIFICATIONS

- 2.5 H.P. Recoil Start Engine
- 4 Roller Pump - 6 G.P.M.
- Pressure Relief Valve
- Pressure Gauge
- Suction Line Filter
- 25 Ft. Hand Gun Hose
- Pistol Grip Spray Gun
- Optional Trailers & Boom Features Available

### ASSEMBLY INSTRUCTIONS

The sprayer is completely assembled except for the pressure gauge, and the only other time any assembly is required is if you have purchased the optional trailer assembly, or optional boom assembly.

Note: Add proper oil to the engine crankcase and gasoline to the gas tank. Refer to the engine manual for the correct type and amount.

It is important to test the sprayer with plain water before actual spraying is attempted. This will enable you to check the sprayer for leaks in the plumbing system.

1. Open tank lid and be sure the tank is clean and free of foreign material. Fill the tank about half full with plain water.



[WWW.FIMCOINDUSTRIES.COM](http://WWW.FIMCOINDUSTRIES.COM)

1000 FIMCO LANE • P.O. BOX 1700 • NO. SIOUX CITY, SD 57049  
TOLL FREE: 800-831-0027 • TOLL FREE FAX: 800-494-0440  
Form No. 804 (5004589 3/08) Printed In U.S.A.

2. Open the brass valve in the suction line and allow water to flow to the pump. The valve is located at this point to enable the strainer to be taken apart for cleaning.

**CAUTION: Always be sure that water has reached the roller pump before starting your sprayer. If the pump is run dry, serious damage to the pump will result.**

3. It is always best to start the sprayer at little or no pressure. This sprayer is equipped with a spring loaded relief valve. Turn the valve knob out to decrease pressure and in for increased pressure.

4. You may now start the sprayer engine following the engine manufacturers instructions. Let the sprayer run at low pressure until water has reached the handgun and all air has been purged from the system.

**CAUTION: Care must be taken, being sure the handgun is secured in the operators hand. If this is not done a recoiling action may occur causing damage or personal injury.**

### TESTING THE SPRAYER

1. The pressure should now be increased to 30-125 P.S.I. Operate the sprayer at this increased pressure for 3-5 minutes, thoroughly testing the unit before adding chemicals.

### AFTER SPRAYING

After use fill the sprayer part way with water, start the sprayer and allow clear water to be pumped through the plumbing system and out through handgun. Use the handgun to thoroughly wash all internal parts of tank and tank cover.

Refill the tank about half full with plain water and use a chemical neutralizer such as NUTRA-SOL or equivalent and repeat cleaning instructions above. Flush the entire sprayer with the neutralizing agent. Follow the chemical manufacturers disposal instructions of all wash and rinsing water.

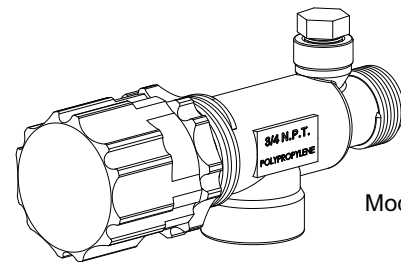
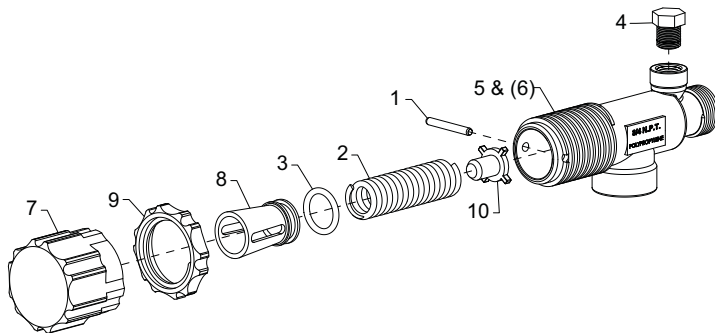
### WINTER STORAGE

Drain all water out of the sprayer paying special attention to pump, valves, and spray gun. These items are especially prone to damage from chemicals and freezing weather.

**The sprayer should be winterized before storage by pumping a solution of RV anti-freeze through the entire plumbing. Proper care and maintenance will prolong the life of the sprayer.**

## PISTON TYPE PRESSURE RELIEF/REGULATING VALVES

Bypasses excess liquid. Adjustable to maintain control of line pressure at any pressure within the valve operating range. Selected pressure setting firmly held in place by locknut. Extra large passages to handle large flows.



Model 23120

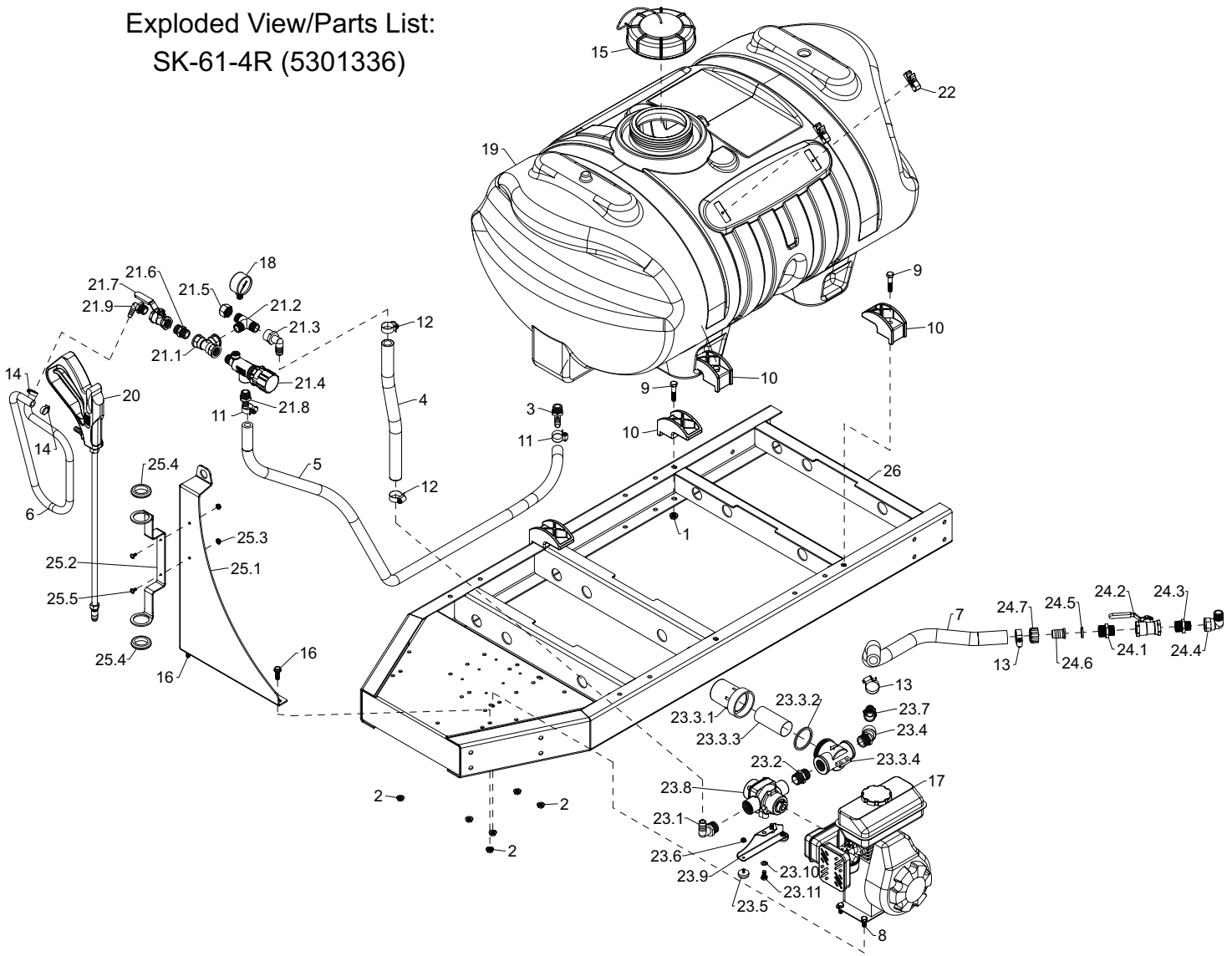
- Polypropylene with stainless steel spring
- Excellent chemical resistance
- EPDM O-Rings
- For pressure to 150 p.s.i.
- 1/4" port for pressure gauge
- Choice of 1/2" or 3/4" NPT (M) inlet & (F) outlet connections

FIMCO Number	Mfg Part Number	Description
5143199	23120-3/4-PP	3/4" Poly Valve
5143200	23120-1/2-PP	1/2" Poly Valve
5168717	PK-AB23120-KIT	Repair Kit, Items Marked **

Item No.	Part Number	Mfg Part Number	5143199 Qty	5143200 Qty	Description
1	**	CP23126-302SS	1	1	Retaining Pin
2	**	CP23127-302SS	1	1	Spring
3	**	CP7717-15-EPR	1	1	O-Ring, EPDM Rubber
4	---	---	1	1	Pipe Plug, 1/4" MNPT
5	---	CP23121-PP	1	-	Poly Body (3/4" NPT)
6	---	CP23128-PP	-	1	Poly Body (1/2" NPT)
7	5046270	CP23122-NY	1	1	Adjusting Cap, Nylon (Gray)
8	5108095	CP23124-PP	1	1	Spring Retainer
9	5110266	CP23123-PP	1	1	Lock Ring
10	5115078	CP23125-PP	1	1	Guide Seat

How to order: Specify valve number (Example: 23120-1/2-PP Polypropylene)

Exploded View/Parts List:  
SK-61-4R (5301336)



ITEM NO.	PART NUMBER	QTY.	DESCRIPTION
1	5006259	4	3/8"-16 Hex Whiz (Flange) Locknut
2	5006307	6	5/16"-18 Hex Whiz (Flange) Locknut
3	5010039	1	Nylon Elbow, 1/2" MNPT x 1/2" HB
4	5020077	1	Hose, 5/8"-1 Brd. x 16"
5	5020123	1	Hose, 1/2"-1 Brd. x 60"
6	5020135	1	Hose, 3/8"-2 Brd. x 25 Ft.
7	5020378	1	Hose, 3/4"-2 Brd. x 21"
8	5034038	4	H.H.C.S., 5/16"-18 x 3/4"
9	5034101	4	H.H.C.S., 3/8"-16 x 1 3/4"
10	5038698	4	Plastic Tank Hold-Down Leg Clip
11	5051022	2	Hose Clamp, 1/2"
12	5051023	2	Hose Clamp, 5/8"
13	5051024	2	Hose Clamp, 3/4"
14	5051114	2	Hose Clamp, 3/8"
15	5058188	1	Tank Lid w/Lanyard
16	5117300	2	5/16"-18 x 1" Flange Whiz Lock Screw
17	5152104	1	2.5 HP Engine
18	5167004	1	Gauge, 0-200# (Dry)
19	5169249	1	60 Gallon Elliptical Tank (White)
20	5273959	1	Handgun w/X-26 Tip
21	5274707	1	Valve Assembly
21.1	5010113	1	Nylon "Tee" Fitting, 1/2" FNPT
21.2	5010258	1	Poly Tee Fitting, 1/2" MNPT
21.3	5149085	1	Nylon Hose Fitting, 1/2" FNPT x 5/8" HB
21.4	5143200	1	Pressure Relief Valve (1/2" NPT)
21.5	5046392	1	Nylon Hex Cap, 1/2" FNPT
21.6	5011054	1	Nylon Close Nipple, 1/2" MNPT
21.7	5143197	1	1/2" T-800 Brass Ball Valve
21.8	5067017	1	Nylon Fitting, 1/2" MNPT x 1/2" HB
21.9	5010038	1	Nylon Elbow, 1/2" MNPT x 3/8" HB
22	5274880	1	Pkg. (2) Handgun Clips & (2) Screws

ITEM NO.	PART NUMBER	QTY.	DESCRIPTION
23	5274885	1	Pump Sub-Assembly
23.1	5010037	1	Nylon Elbow, 3/4" MNPT x 5/8" HB
23.2	5011055	1	Nylon Close Nipple, 3/4" MNPT
23.3	5116322	1	3/4" Black Poly Strainer
23.3.1	5058125	1	Strainer Bowl
23.3.2	5072229	1	EPDM Gasket
23.3.3	5116323	1	40 Mesh Screen
23.3.4	5046088	1	Strainer Cap
23.4	5010192	1	45 Degree Nylon Street Elbow, 3/4" NPT
23.5	5040004	2	Rubber-Headed Machine Screw Bumper (#10-24)
23.6	5006186	2	#10-24 Hex Whiz (Flange) Locknut
23.7	5010020	1	Nylon Fitting, 3/4" MNPT x 3/4" HB
23.8	5275495	1	4-Roller Pump (Cast Iron)
23.9	5038730	1	Torque Bracket
23.10	5016026	2	Lockwasher, 5/16"
23.11	5034154	2	H.H.C.S., 5/16"-18 x 5/8"
24	5274939	1	Tank Valve Assembly
24.1	5005022	1	Nylon Male Street Adapter, 3/4" MGHT x 3/4" MNPT
24.2	5143190	1	3/4" T-800 Brass Ball Valve
24.3	5011129	1	Nylon Reducing Nipple, 3/4" MNPT x 1/2" MNPT
24.4	5010148	1	Nylon Street Elbow, 1/2" MNPT x 1/2" FNPT
24.5	5016066	1	Garden Hose Washer
24.6	5149013	1	Nylon Swivel, 3/4" Flat Seat Hose Barb
24.7	5006055	1	Nylon Swivel Nut, 3/4" FGHT
25	5275405	1	Valve Mount Sub-Assembly
25.1	5038704	1	Valve Mount Bracket
25.2	5038638	1	Handgun Holder Bracket
25.3	5006186	2	#10-24 Hex Whiz (Flange) Locknut
25.4	5075014	2	Rubber Grommet (Black)
25.5	5117234	2	#10-24 x 1/2" Phillips Truss Head Machine Screw
26	5275758	1	Skid Frame (RED: 60 Gal.)