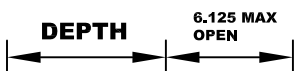




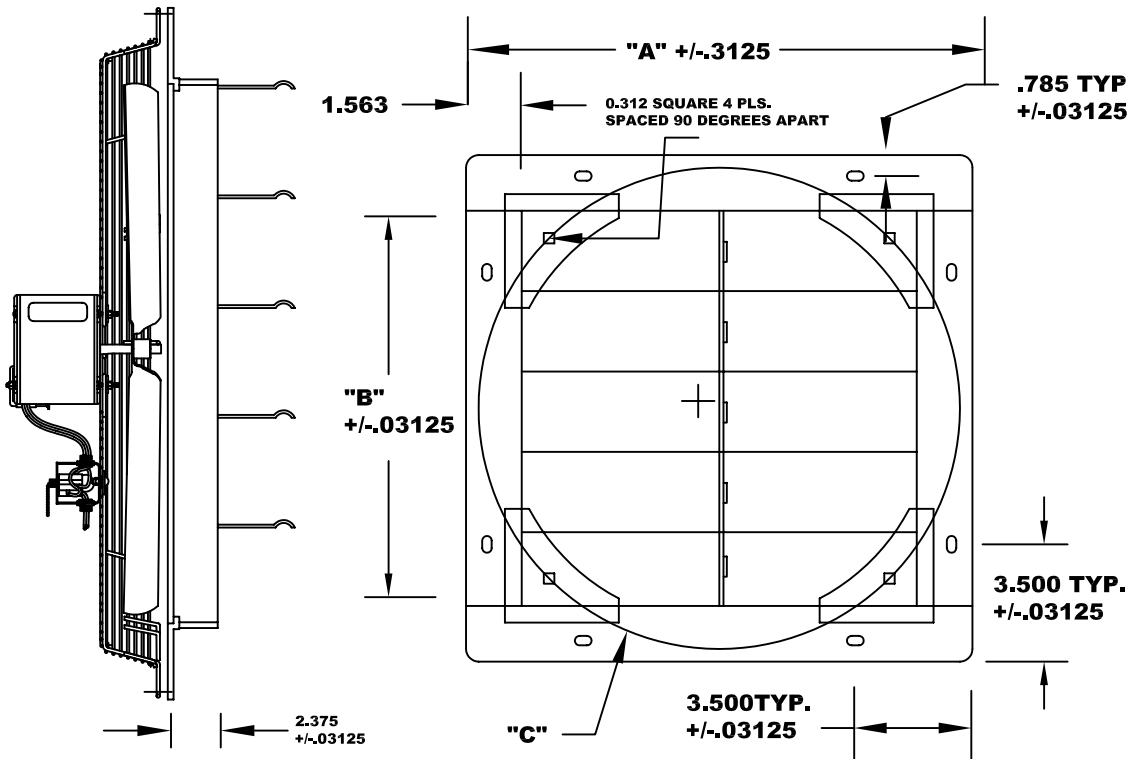
CE SHUTTER MOUNTED SERIES

| UPC 686334 | SIZE | MODEL | HP | CFM | | | AMPS HIGH | SHIPPING WEIGHT(LBS) |
|---------------|------|----------|------|------|------|------|--------------|-------------------------|
| | | | | HIGH | MED | LOW | | |
| 868990 | 10" | CE 10-DS | 1/12 | 2280 | 1825 | 1325 | 1.0 | 11 |
| 798624 | 12" | CE 12-DS | 1/12 | 2750 | 2200 | 1600 | 1.1 | 12 |
| 869003 | 14" | CE 14-DS | 1/8 | 4475 | 3650 | 2490 | 2.0 | 17 |
| 869010 | 16" | CE 16-DS | 1/8 | 5110 | 4180 | 2840 | 2.1 | 18 |
| 798631 | 18" | CE 18-DS | 1/8 | 5750 | 4700 | 3200 | 2.2 | 19 |
| 869027 | 20" | CE 20-DS | 1/4 | 5850 | - | 4165 | 2.3 | 34 |
| 798648 | 24" | CE 24-DS | 1/4 | 6800 | - | 5000 | 2.5 | 38 |
| 798655 | 30" | CE 30-DS | 1/4 | 7900 | - | 6000 | 2.7 | 42 |

- * **SIZE:** 10 THRU 30"
- * **MOTOR:** 120V, 1-PHASE TOTALLY ENCLOSED PERMANENTLY LUBRICATED-UL LISTED
 - 1/12 HP MOTOR IS 3-SPEED SLEEVE BEARING SHADED POLE TYPE
 - 1/8 HP MOTOR IS 3-SPEED SLEEVE BEARING PERMANENT SPLIT CAPACITOR
 - 1/4 HP MOTOR IS 2-SPEED BALL BEARING PERMANENT SPLIT CAPACITOR
- * **SWITCH:** PULL CHAIN TYPE
- * **CORD:** NONE, JUNCTION BOX PROVIDED FOR DIRECT WIRING
- * **BLADE:** ALUMINUM
- * **GUARDS:** STEEL SPIRAL WIRE
- * **SHUTTER PANEL:** 19GA STEEL
- * **SHUTTER BLADES:** 26GA ALUMINUM, UNFINISHED

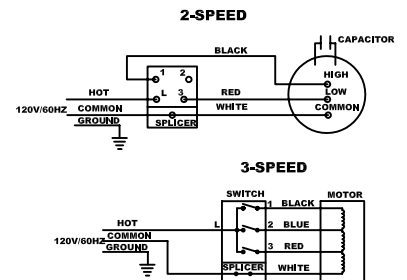


CE SHUTTER REAR VIEW



CE SHUTTER MOUNTED

| SIZE | DEPTH | DIMENSIONS | | |
|------|-------|------------|-------|--------|
| | | "A" | "B" | "C" |
| 10" | 5.81 | 13.125 | 10.00 | 12.375 |
| 12" | 7.18 | 15.125 | 12.00 | 14.375 |
| 14" | 7.18 | 17.125 | 14.00 | 16.375 |
| 16" | 7.18 | 19.125 | 16.00 | 18.250 |
| 18" | 7.18 | 21.125 | 18.00 | 21.750 |
| 20" | 7.18 | 23.125 | 20.00 | 23.686 |
| 24" | 7.18 | 27.125 | 24.00 | 27.750 |
| 30" | 7.18 | 33.125 | 30.00 | 33.750 |



| QTY | CATALOG NUMBER | TAG | SIZE | VOLTS | AMPS | OPTIONAL ACCESSORIES | NOTES |
|-----|----------------|-----|------|-------|------|----------------------|-------|
| | | | | | | | |
| | | | | | | | |
| | | | | | | | |
| | | | | | | | |
| | | | | | | | |
| | | | | | | | |
| | | | | | | | |
| | | | | | | | |
| | | | | | | | |
| | | | | | | | |

| | |
|---------------|-------|
| SUBMITTED BY: | DATE: |
| APPROVED BY: | DATE: |