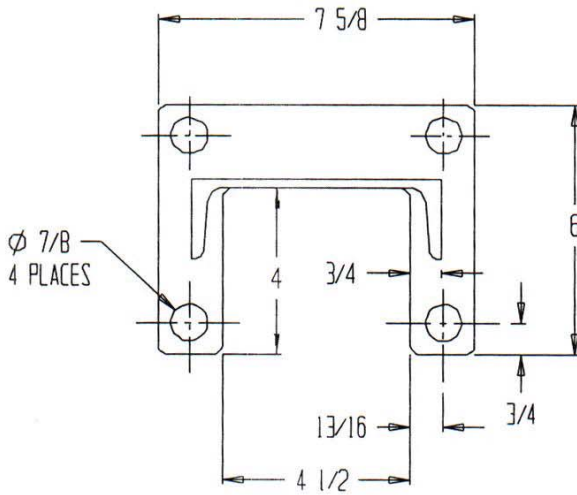


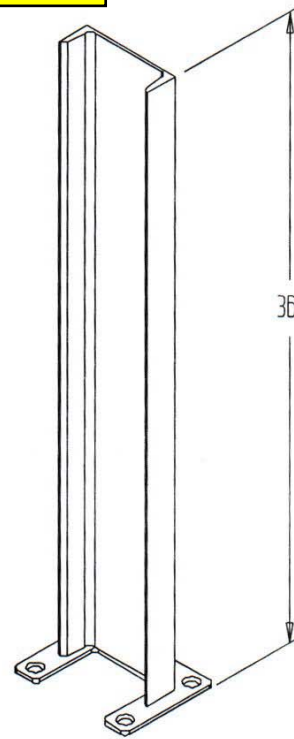
78701

## STRUCTURAL RACK GUARDS G6-36

**ALERT: THIS IS ORIGINAL 'STEEL' RACK GUARD OFFERING THAT HAS UNDERGONE DESIGN CHANGES AS OF 7/2008, WHICH INCLUDE CHANGE IN MATERIAL TYPE TO 'CAST IRON' IN ADDITION TO THE OVERALL APPEARANCE CHANGE. SEE CURRENT SPEC SHEET FOR 78701 FOR REDESIGNED/UPGRADED VERSION SPECIFICATIONS.**



SCALE 1:4



### STANDARD FEATURES

- MODEL NUMBER: G6-36
- OVERALL HEIGHT: 36"
- OVERALL LENGTH: 6"
- OVERALL WIDTH: 9 5/8"
- PLATE THICKNESS: 1/4"
- (4) Ø7/8 HOLES
  - FOR 3/4" DIA LAGS
- USABLE WIDTH: 6 1/2"
- USABLE LENGTH: 4"

### SPECIAL FEATURES

NONE

PRODUCTION WILL START UPON RECEIPT OF SIGNED APPROVAL DRAWING

### APPROVAL

I, the undersigned, hereby approve this print  
 As drawn       As marked  
 This includes my approval of design & dimensions.  
 Signed: \_\_\_\_\_  
 Date: \_\_\_\_\_

\*\*SPECIAL UNITS ARE NON-RETURNABLE  
 \*AVAILABLE AT ADDITIONAL COSTS

DISTRIBUTOR'S NAME:		P.O.#: _
<b>T &amp; S EQUIPMENT</b>		W.O.#: _
DRAWN BY: S ROSE	DATE: 7-30-02	SALES: _
REFERENCE:		DRWG./FILE NAME: