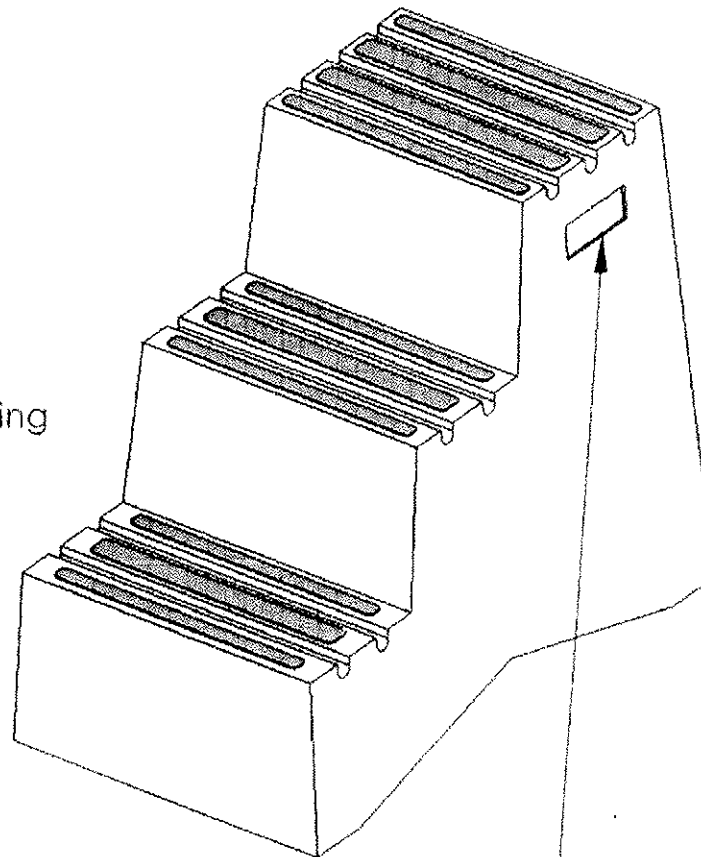
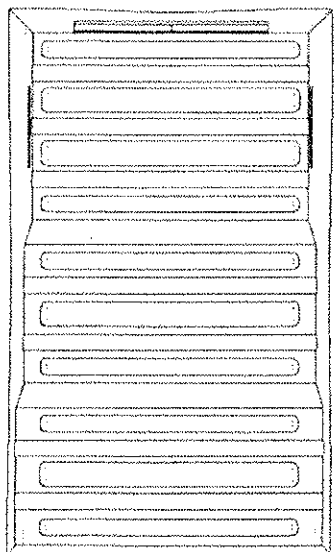


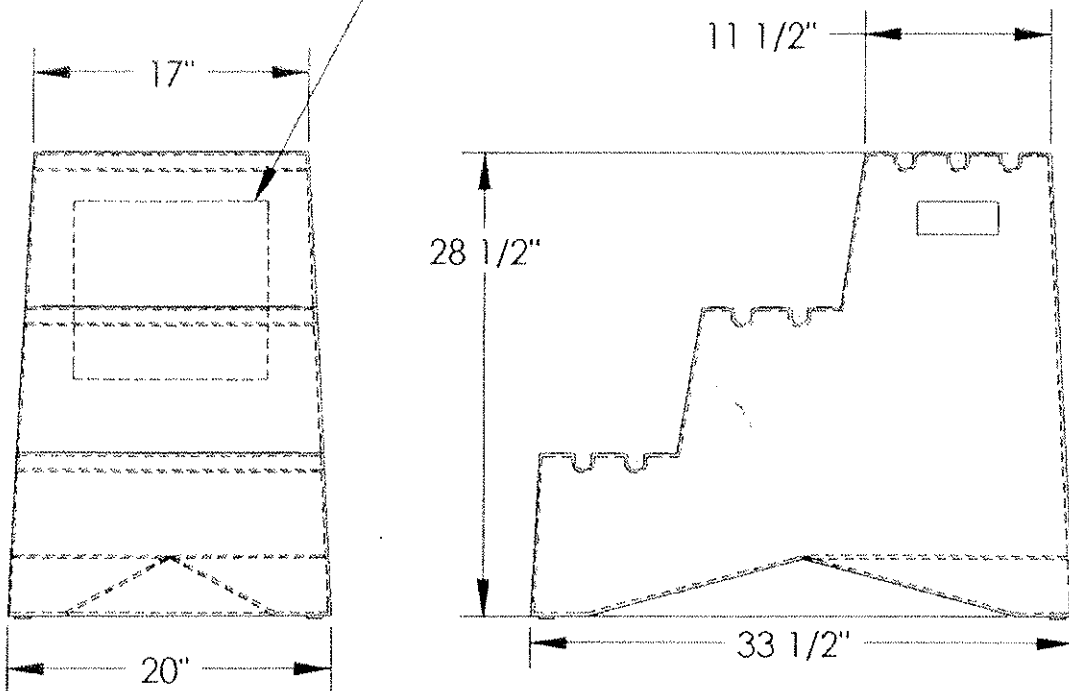
DIXIE POLY DRUM CORP.
THREE STEP STEP-N-STORE

Weight: 26 lbs
Weight Capacity: 500lbs
Color: Yellow or gray

Features:
-Non-skid abrasive stripes on decking
-Rubber feet at each corner



11" x 12" opening in back



Cut-out carry handles

PROPRIETARY AND CONFIDENTIAL

The information contained in this drawing is the sole property of DIXIE POLY DRUM CORP. Any reproduction in part or as a whole without the written permission of DIXIE POLY DRUM CORP. is prohibited.