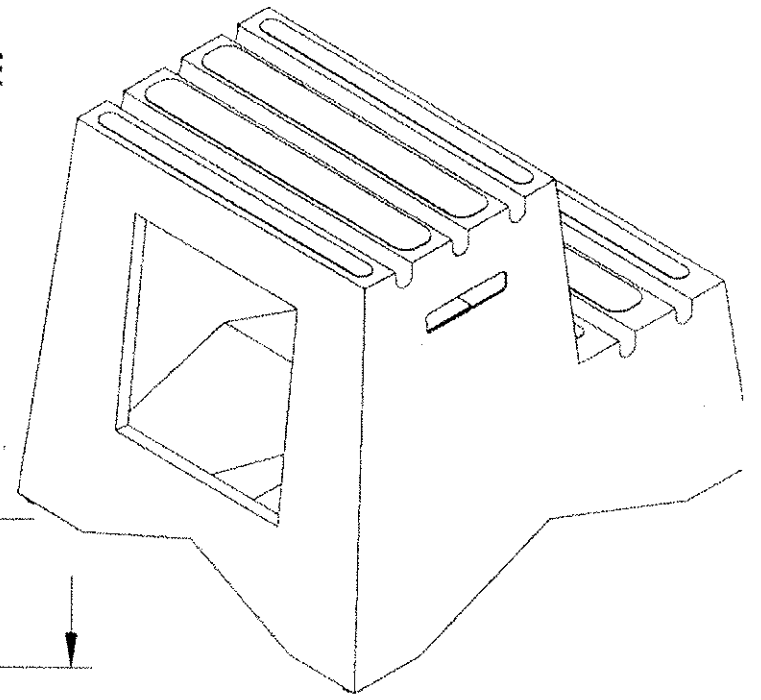
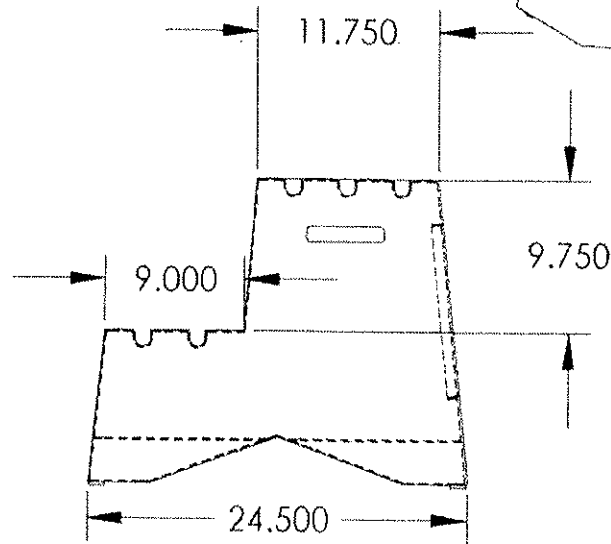
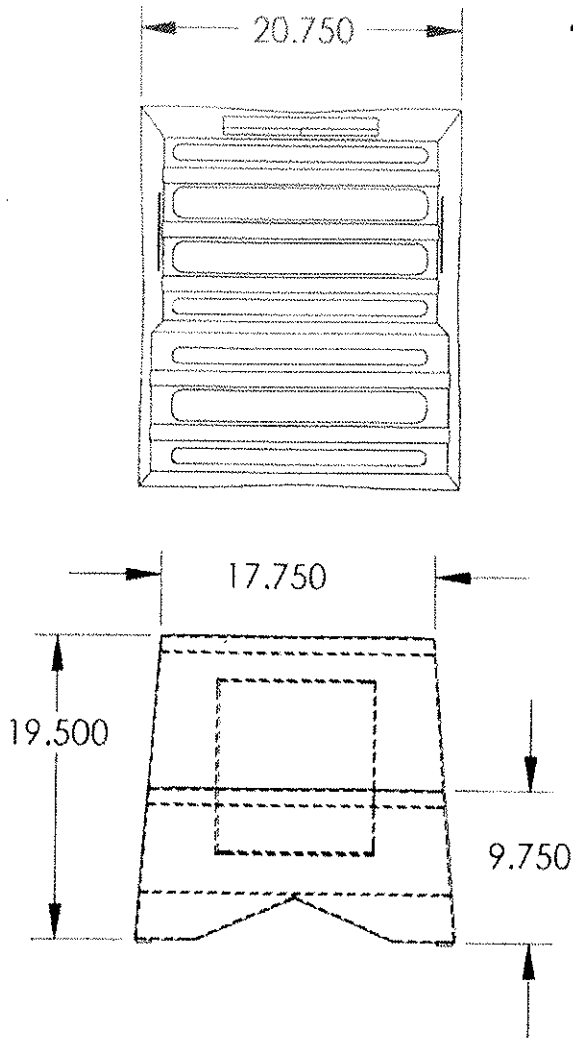


TWO STEP STEP-N-STORE



Material: Polyethylene
 Color: Yellow
 Weight: 20 lbs
 Non-Skid Texture: Adhesive applie
 abrasive grit strips
 Feet: Four rubber fett

PROPRIETARY AND CONFIDENTIAL

The information contained in this drawing is the sole property of DIXIE POLY DRUM CORP. Any reproduction in part or as a whole without the written permission of DIXIE POLY DRUM CORP. is prohibited.

MATERIAL
 L.L.D. Polyethylene
 FINISH
 Smooth

Approval
 Dept. NAME DATE

DIXIE POLY DRUM CORP.

TITLE:

TWO STEP

SIZE DWG. NO.

REV

A

ANDREW SEARLES

SHEET 1 OF