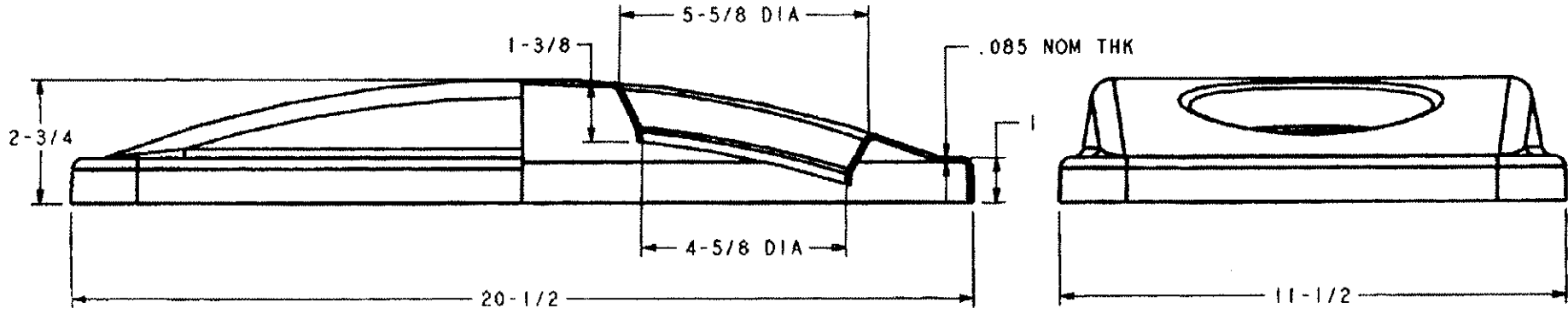



No.	Description/Materials
1	LID - HDPE

36337



total part wt. <u>.8 LB</u>	agency approvals _____	<b>Product Specifications</b>  product name <u>2-HOLE RECYCLE LID</u> product no. <u>2692-88</u> revision <u>2</u>
capacity _____	miscellaneous <u>FITS THE 3540 AND 3541 CONTAINERS</u>	

product no. 2692-88