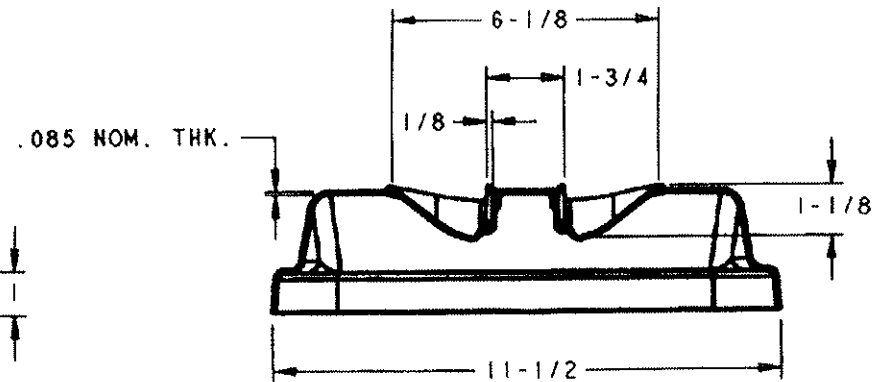
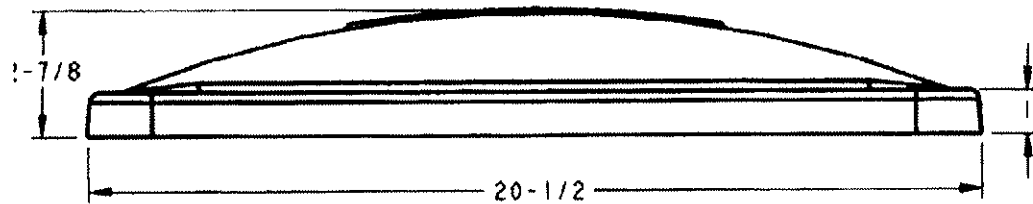
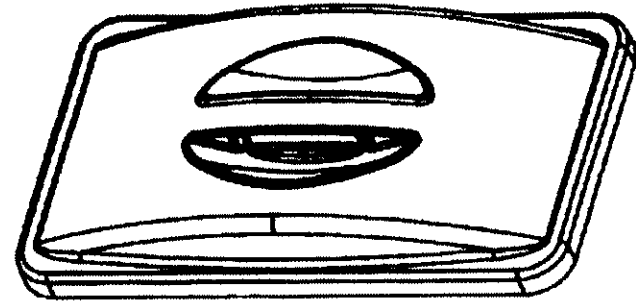
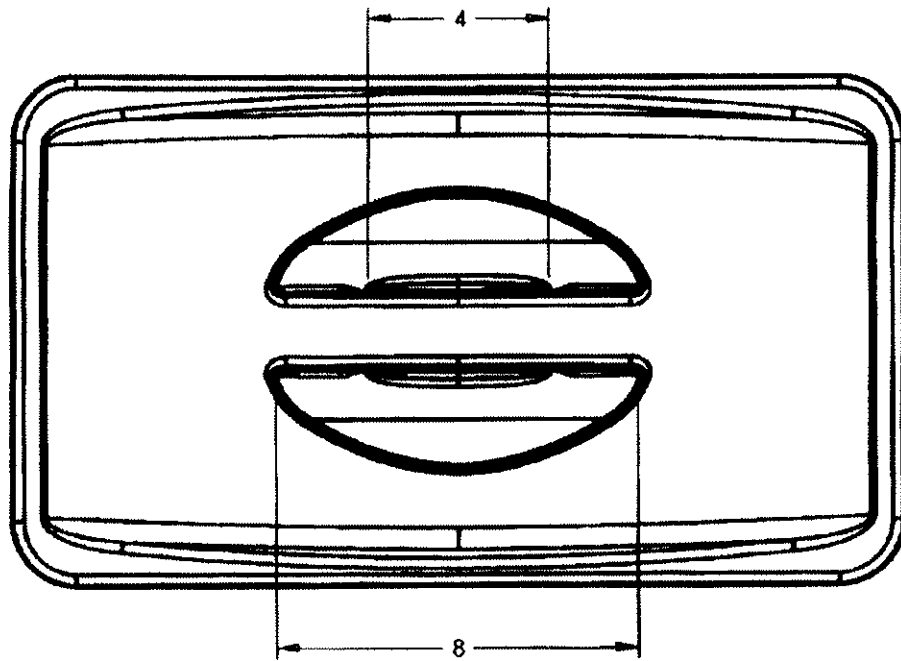



36336

No.	Description/Materials
1	LID - HDPE



total part wt. <u>.9 LBS.</u>	agency approvals _____	Product Specifications  RUBBERMAID COMMERCIAL PRODUCTS INC. product name <u>HANDLE LID</u> product no. <u>2688-88</u> revision <u>2</u>
capacity _____	miscellaneous <u>FITS THE 3540 AND 3541 CANS</u>	
_____	_____	
_____	_____	

product no. 2688-88