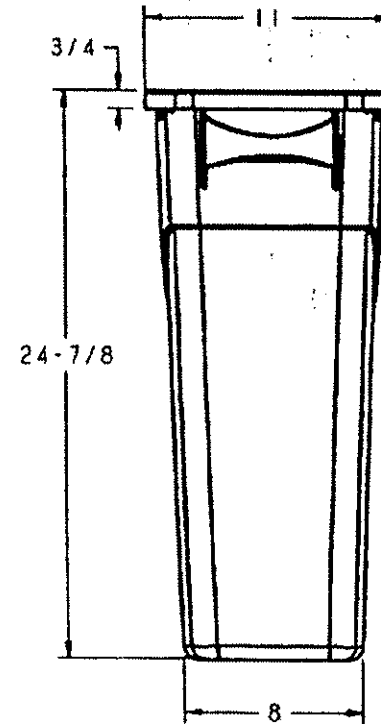
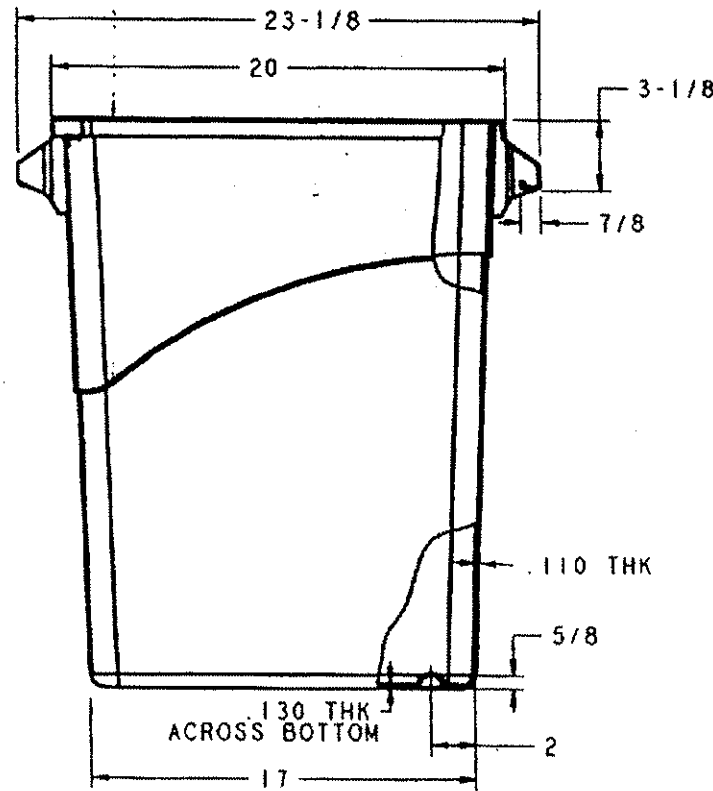



36333

No.	Description/Materials
1	WASTE CAN - LDPE



INSIDE BOTTOM DIMS :
16-3/4 X 7-3/4

total part wt. <u>5.3 LBS.</u>	agency approvals _____	Product Specifications  RUBBERMAID COMMERCIAL PRODUCTS INC. product name <u>60 LITER CONTAINER</u> product no. <u>3541</u> revision <u>0</u>
capacity <u>60 LITERS / 63.4 QTS.</u>	miscellaneous <u>ACCEPTS THE FOLLOWING LIDS: 2673, 2688, 2690, 2692 AND 2703</u>	
_____	RECOMMENDED POLYLINER : <u>5009</u>	product no. <u>3541</u> revision <u>0</u>

product no. 3541