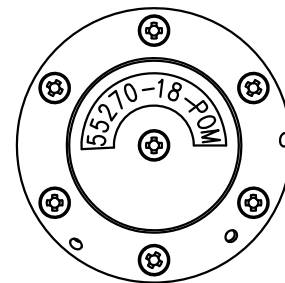
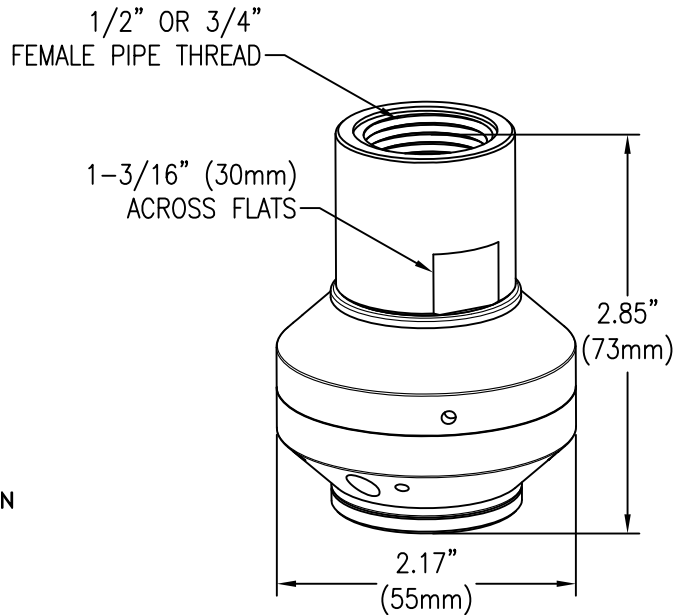


55270 Rotating Tank Rinsing Nozzle

FEATURES:

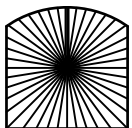
- ROTATING HEAD DRIVEN BY THE FLOW OF THE RINSING LIQUID THROUGH MULTIPLE ROUND SPRAY ORIFICES
- SOLID STREAM SPRAYS ARE PRECISELY POSITIONED TO PROVIDE EFFECTIVE INTERNAL WETTING AND CLEANING OF TANK SURFACE
- REMOVABLE RETAINER AND ROTATING BODY ALLOWS FOR DISASSEMBLY AND CLEANING
- SPRAY ANGLE: 360°
- SELF-LUBRICATING AND SELF-FLUSHING DESIGN
- MATERIALS: BODY - BLACK POM (ACETAL)
FASTENERS - STAINLESS STEEL
- RECOMMENDED OPERATING PRESSURE: 10-50 PSI (0.7-3.5 bar)
- FOR TANK DIAMETERS UP TO 10 FT. (3.0 m)
- PIPE CONNECTIONS: 1/2" NPT (F); 1/2" BSPT (F);
3/4" NPT (F); 3/4" BSPT (F)



BOTTOM VIEW

- COMMON APPLICATIONS: INSIDE RINSING OF SPRAY TANKS

- HOW TO ORDER: B55270-1/2-18-POM
 BSPT VERSION ———— CAPACITY
 PIPE CONNECTION SIZE

NOZZLE No.	CAPACITY - GPM					CAPACITY - L/min					TYPE OF COVERAGE & SPRAY ANGLE
	10 PSI	20 PSI	30 PSI	40 PSI	50 PSI	0.7 bar	1.5 bar	2.0 bar	3.0 bar	3.5 bar	
55270-1/2-11-POM	5.9	7.9	9.4	11.0	12.4	22.3	30.8	35.3	43.5	47.3	 360°
B55270-1/2-11-POM											
55270-3/4-18-POM	9.0	12.7	15.6	18.0	20.0	34.0	50.0	58.0	71.0	77.0	
B55270-3/4-18-POM											

DESCRIPTION:

55270-1/2-11-POM &
55270-3/4-18-POM
LOW PRESSURE ROTATING TYPE
TANK CLEANING NOZZLE



Spraying Systems Co.®

Spray Nozzles and Accessories
P.O. Box 7900 - Wheaton, Il. 60189-7900

Rev. No.

Ref.

DATA SHEET

55270

SHEET OF