

156227

Instructions for Loading and Operation of **TurfTacker™**

(for use with TurfTacs™ biodegradable staples)

BEFORE FIRST USE

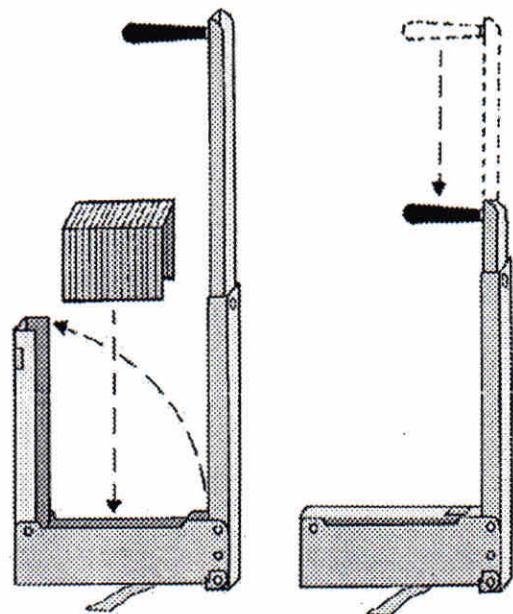
The Tacker is shipped folded in its open position.

To prepare for use, unscrew wing-bolt from base of staple chamber. Lower base to form L-shape with handle. Replace wing-bolt through holes in handle and base to secure handle in this position.

The Tacker may be opened as needed to clear away dirt, jams, etc.

LOADING

- 1.) Open magazine lid by depressing small locking lug found beneath thumb-and-forefinger lifting tabs
- 2.) Pull spring guide from resting position until it locks ("clicks") in place
- 3.) Place one **TurfTacs™** strip (60 staples) onto staple guide channel .
- 4.) Release spring catch by depressing lower black tab.
- 5.) Close lid. Spring will automatically advance staple strip so that leading staple will be positioned in chamber ready for use.



OPERATION

Turn stabilizer bar at base of Tacker 90° to provide additional support.

From an upright, walking position push handle downward with **sharp, abrupt movements** at whatever intervals desired.

MAINTENANCE

Periodically clean chamber and moving parts. Spray inside Tacker with a WD-40 type lubricant.



IMPORTANT: DO NOT APPLY GRADUAL PRESSURE TO DRIVE TurfTacs™ STAPLES; ANYTHING OTHER THAN SUDDEN, DOWNWARD THRUSTS WILL RESULT IN INADEQUATE ANCHORING OR WORSE, JAMMING THE MECHANISM.

EcoTurf, Inc.

300 N. Elizabeth Street, Chicago, IL 60607

888-Turf-Tac (887-3822), 312-226-0099, Fax 312-226-2480