

Hand-Held Hose Spray w/Dual Sprayhead/ Wall Mount

Model S19-430EFW

Model S19-435EFW

- Complies with National American Standard Z358.1-1998
- Acts as an Eye/Face Wash and Hand-Held Spray
- For Eyes and Face or Body Rinsing
- Wall Bracket Included for Wall Mounting
- Full, One-Year Warranty

Specifications

Quick access emergency eye and face spray features soft flow dual sprayhead for flooding large areas as well as eyes only. Wall bracket included for wall mounting.

Construction

8' (2438mm) yellow reinforced thermoplastic hose has 3/8" IPS male thread. Burst strength is 250 PSI.

Standard Equipment

Eye/Face Spray

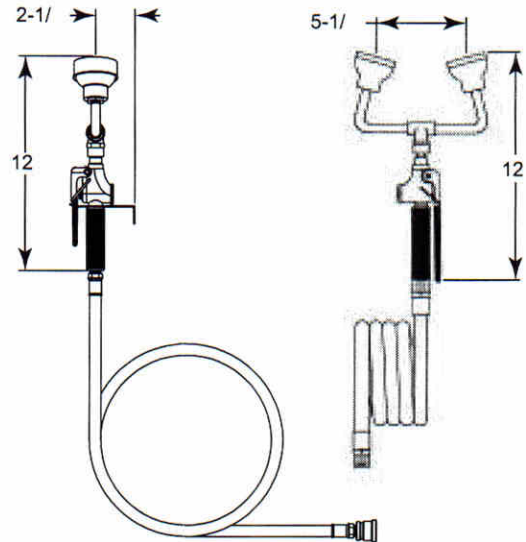
Perforated sprayheads are ABS plastic and include protective sprayhead covers, feature soft flow dual sprayheads for flooding large areas as well as eyes only. The integral flow assures safe, steady flow under varying water supply conditions.

Valve

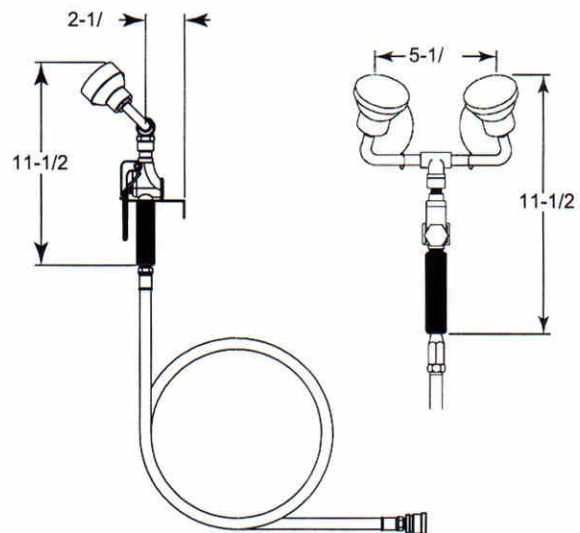
Chrome plated brass w/ extended handle stays open once handle is squeezed.

Drench Hose

8' (2438mm) yellow reinforced thermoplastic hose has 3/8" IPS male thread. Burst strength is 250 PSI.



S19-430EFW



S19-435EFW

| MODEL | |
|-------------------------------------|--|
| Model No. | Description |
| <input type="checkbox"/> S19- 30EFW | Hand-Held Hose Spray w/Dual Sprayhead/ Wall Mount |
| <input type="checkbox"/> S19- 35EFW | Hand-Held Hose Spray w/Dual Angled Sprayhead/ Wall Mount |

Document No. 4780

This information is subject to change without formal notice.
0301BLVS (1 Page Total)

Bradley

P.O. Box 309, Menomonee Falls, WI 53052-0309